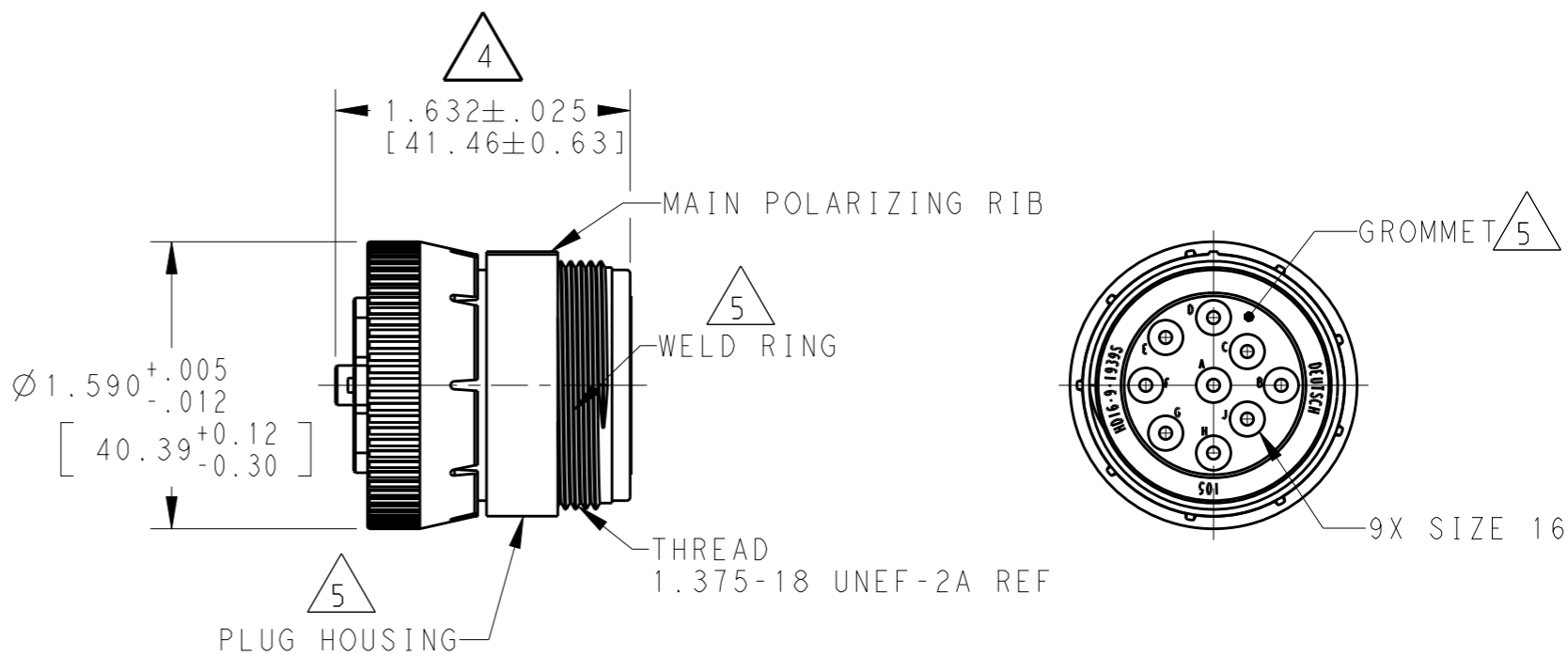
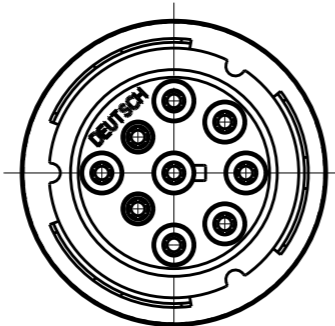
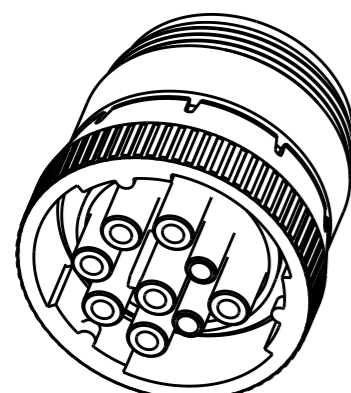


THIS DRAWING IS UNPUBLISHED
 RELEASED FOR PUBLICATION 2013
 © COPYRIGHT 2013 BY TE CONNECTIVITY. ALL RIGHTS RESERVED.

LOC	DIST	REVISIONS			
P	LTR	DESCRIPTION	DATE	DWN	APVD
-	-	B	REVISED PER E.O. P16261	17SEP1999	- RDR
-	-	C	REVISED PER E.O. P17740	26APR2002	- RDR
-	-	D	REVISED PER E.O. P21133	29SEP2011	- RDR
-	-	D1	REVISED PER ECO-14-002953	29JAN2014	PV DM



- 5. MATERIAL:
 PLUG HOUSING AND WELD RING: PA 15%GF (BLACK)
 GROMMET: SILICONE (RED)
- 4. OVERALL DIMENSION DOES NOT INCLUDE RUBBER GROMMET.
- 3. THIS PLUG MATES WITH FOLLOWING RECEPTACLES (X = SEAL TYPE, XXXX = ALL MODIFICATIONS).
 HD10-9-1939PX-XXXX
 HD14-9-1939PX-XXXX
- 2. SEE DRAWING 0425-015-0000 FOR CONTACT AND WIRE PERFORMANCE AND APPLICATION CHARACTERISTICS.

1. SEE TABLE FOR USABLE INSULATION RANGE.

CONTACT SIZE	MINIMUM O.D.	MAXIMUM O.D.	WIRE RANGE [mm ²]
16	.100 [2.54]	.150 [3.81]	14-20 AWG [2.0-.50]

NOTES:

THIS DRAWING IS A CONTROLLED DOCUMENT.		DWN J. NORRIS 11SEP1996			
DIMENSIONS: INCHES [mm]		CHK I. GRANTCHAROVA 18SEP2013			
TOLERANCES UNLESS OTHERWISE SPECIFIED:		APVD D. MEYER 19SEP2013		NAME PLUG CONNECTOR HD10 SERIES ARR. 9-1939 COLOR: BLACK	
0 PLC ± 1 PLC ± 2 PLC ± 3 PLC ±.025 4 PLC ± ANGLES ±0° 30' 0"		PRODUCT SPEC -		SIZE A3	
MATERIAL 5		FINISH -		CAGE CODE 00779	
		APPLICATION SPEC -		DRAWING NO. HD16-9-1939S	
		WEIGHT 37.20 (g)		RESTRICTED TO -	
		Customer Drawing		SCALE 1:1 SHEET 1 OF 1 REV D1	